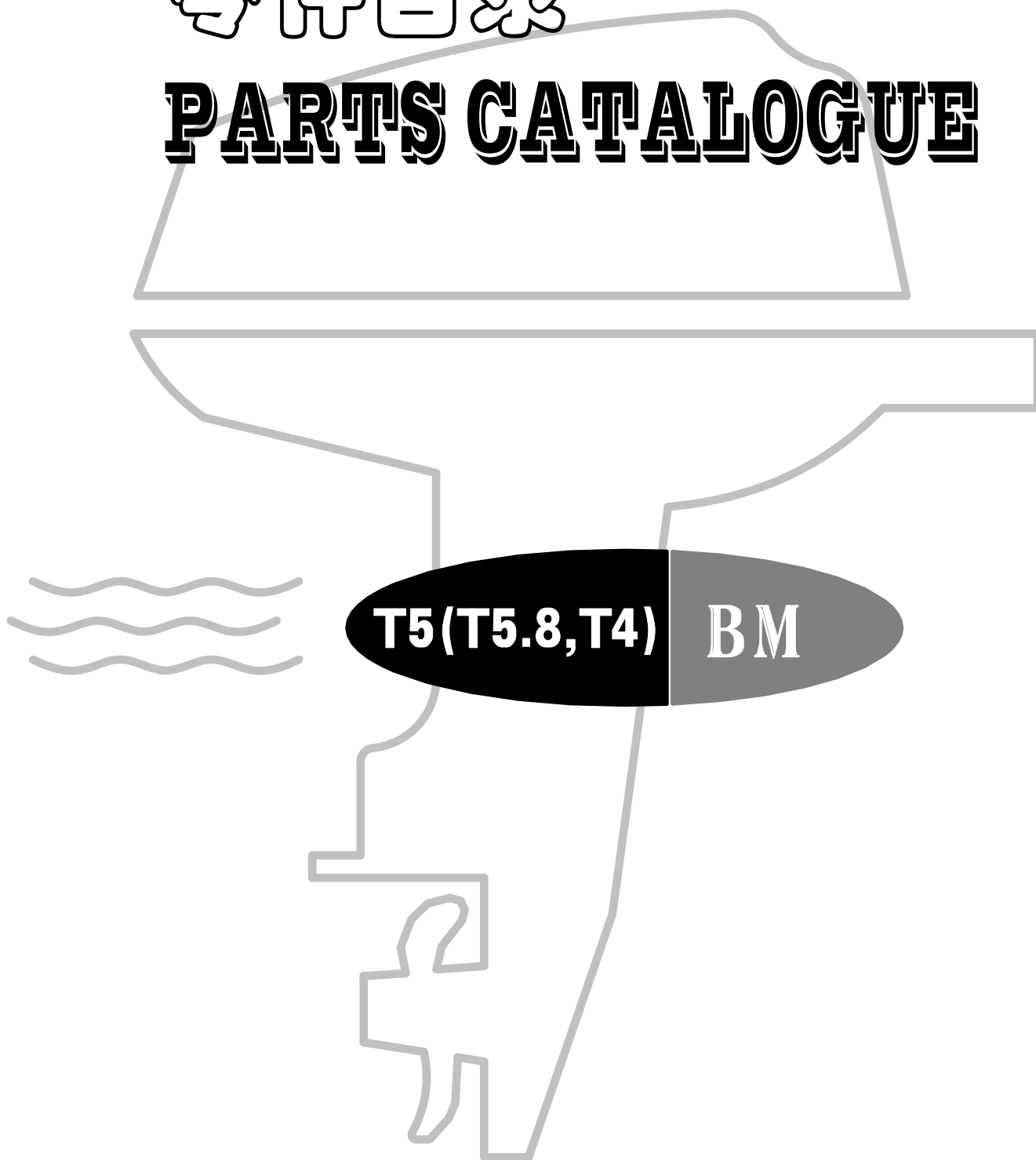




百胜

零件目录

**PARTS CATALOGUE**



苏州百胜动力机器股份有限公司

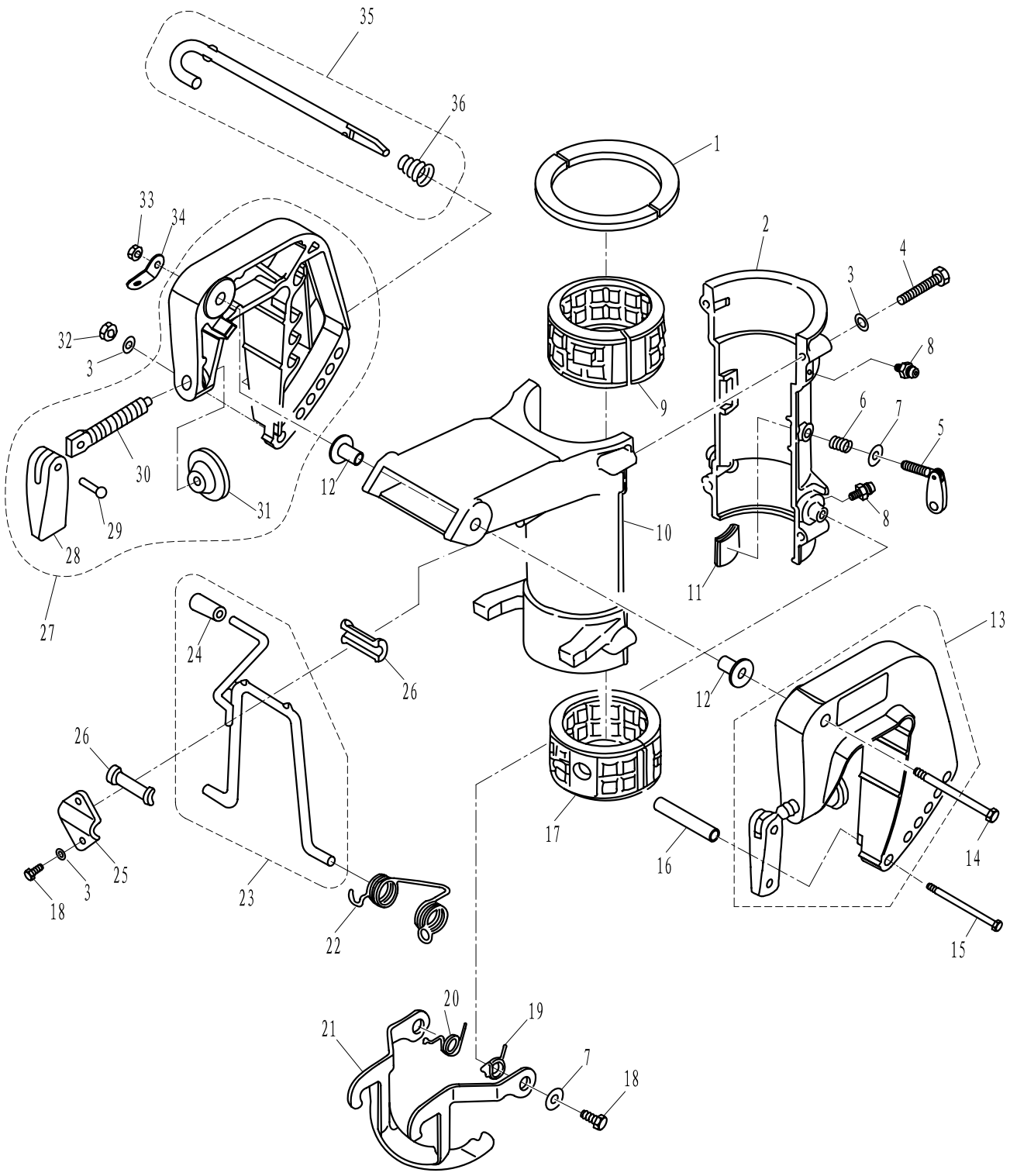
# 目次

## CONTENTS

托架 — — — — —	— 1 ~ 2
BRACKET — — — — —	— 1 ~ 2
操舵系统 — — — — —	— 3 ~ 4
STEERING — — — — —	— 3 ~ 4
水上装置壳体 — — — — —	— 5 ~ 6
UPPER CASING — — — — —	— 5 ~ 6
底罩 — — — — —	— 7
BOTTOM COWLING — — — — —	— 7
控制系统 — — — — —	— 8 ~ 9
CONTROL SYSTEM — — — — —	— 8 ~ 9
水下装置壳体&驱动系统 — — — — —	— 10 ~ 12
LOWER CASING & DRIVE — — — — —	— 10 ~ 12
电气系统 — — — — —	— 13 ~ 14
ELECTRICAL SYSTEM — — — — —	— 13 ~ 14
曲轴&活塞 — — — — —	— 15 ~ 16
CRANKSHAFT & PISTON — — — — —	— 15 ~ 16
曲轴箱 — — — — —	— 17 ~ 18
CRANKCASE — — — — —	— 17 ~ 18
燃油系统 — — — — —	— 19 ~ 20
FUEL SYSTEM — — — — —	— 19 ~ 20
化油器总成 — — — — —	— 21 ~ 22
CARBURETOR ASSY — — — — —	— 21 ~ 22
起动器 — — — — —	— 23 ~ 24
STARTER — — — — —	— 23 ~ 24
顶罩组件 — — — — —	— 25 ~ 26
TOP COWLING ASSY— — — — —	— 25 ~ 26
燃油箱 — — — — —	— 27
FUEL TANK— — — — —	— 27
发动机头总成(修理件) — — — — —	— 28 ~ 29
CYLINDER HEAD ASSY (REPAIRE KIT) — — — — —	— 28 ~ 29
附录1(修理件) — — — — —	— 30 ~ 31
APPENDIX 1(REPATE KIT) — — — — —	— 30 ~ 31
附录2(修理件) — — — — —	— 32
APPENDIX 2 (REPAIRE KIT) — — — — —	— 32
零件目录检索表 — — — — —	— I ~ II
PARTS CATALOGUE INDEX — — — — —	— I ~ II

零部件名称: 托架

PARTS NAME: BRACKET



零部件名称:

托架

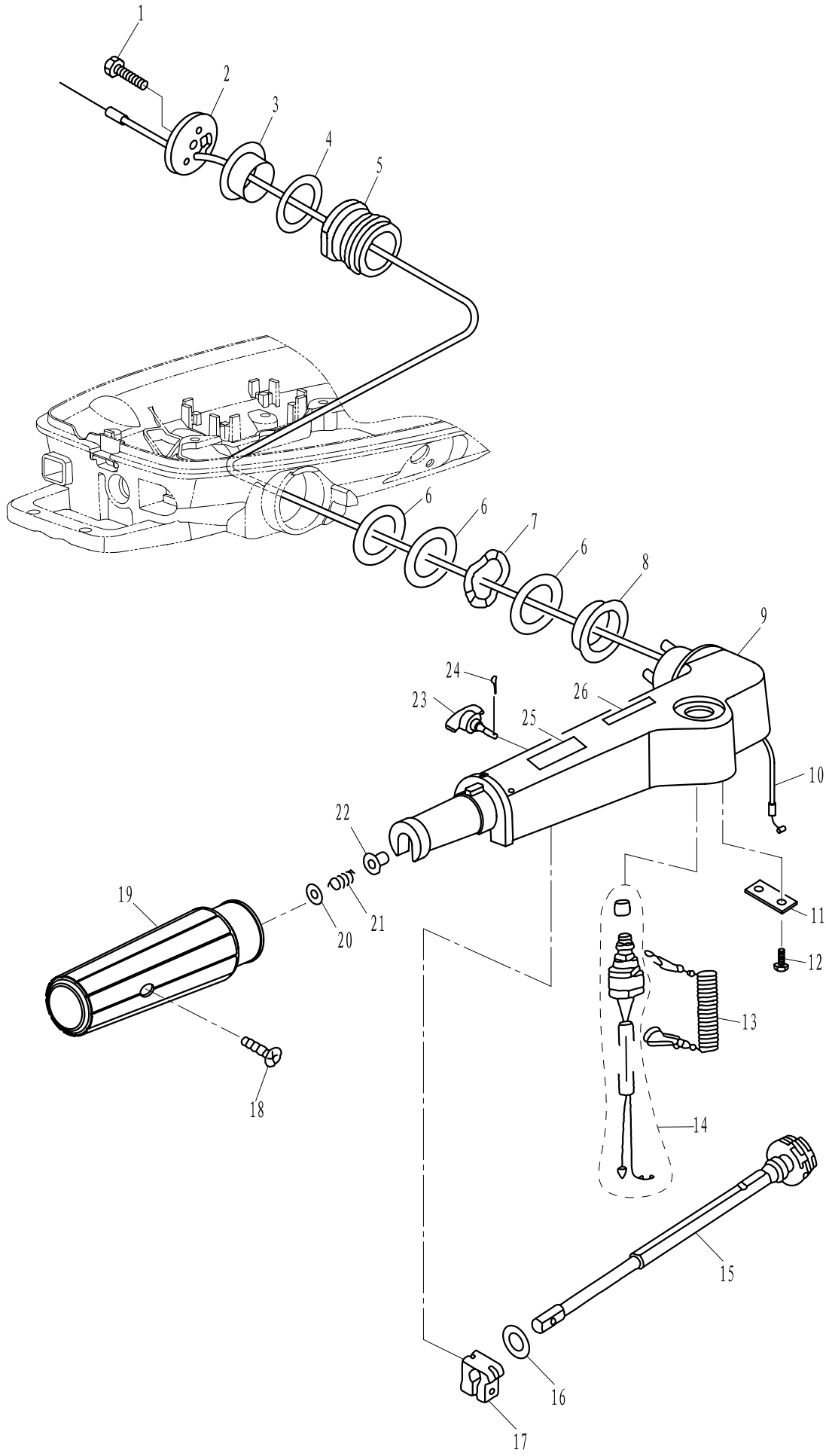
PARTS NAME:

BRACKET

SN. 参照号码	PART NO. 零件编号	DESCRIPTION 零件名称(中文)	DESCRIPTION 零件名称(英文)	QTY 数量					REMARKS 备注
1	T5-01010003	尼龙衬圈	NYLON GASKET	2					
2	T5-01010201	旋转支架盖	COVER, ROTARY BRACKET	1					
3	GB/T97.1-6	平垫圈 6	WASHER 6	7					
4	GB/T5783-M6x35	六角螺栓 M6x35	BOLT M6x35	4					
5	F2.6-01050100	锁紧手柄组件	LOCKED HANDLE ASSY	1					
6	F2.6-01050002	压缩弹簧	SPRING, COMPRESSION	1					
7	GB/T96-6	大垫圈6	BIG WASHER 6	3					
8	JB/T7940.1-M6	直通式压注油杯 M6	GREASE CUP, DIRECT INFUSE M6	2					
9	T5-01010004	上减震圈	UPPER BUSHING	1					
10	T5-01010001	旋转支架座	SEAT, ROTARY BRACKET	1					
11	T5-01010100	锁紧块组件	LOCKED BLOCK ASSY	2					
12	F4-01000003	尼龙垫圈	WASHER, NYLON	2					
13	F4-01010000	夹紧托架(右)组件	BRACKET RIGHT ASSY	1					
14	GB/T5782-M8x140	六角螺栓 M8x140	BOLT M8x140	1					
15	GB/T5782-M6x130	六角螺栓 M6x130	BOLT M6x130	1					
16	F8-01010001	螺栓垫管	BUSHER, BOLT	1					
17	T5-01010005	下减震圈	BOTTOM BUSHING	1					
18	GB/T5783-M6x12	六角螺栓 M6x12	BOLT M6x12	4					
19	F4-01000007	锁紧钩扭簧(右)	WREST SPRING, LOCKING RIGHT	1					
20	F4-01000006	锁紧钩扭簧(左)	WREST SPRING, LOCKING LEFT	1					
21	T5-01010300	起翘锁紧钩组件	LILT LOCKED CLASP ASSY	1					
22	T5-01010002	支撑架扭簧	WREST SPRING, BRACKET	1					
23	T5-01010400	角度定位支撑架组件	BRACKET, TILT LOCK	1					
24	F4-01030103	手柄套	SHEATH HANDLE	1					
25	F8-01010105	支撑架压板	PLATE, TILT LOCK	1					
26	F8-01010103	支撑架尼龙衬套	BUSHING, NYLON	2					
27	F4-01020000	夹紧托架(左)组件	BRACKET LEFT ASSY	1					
28	F4-01010004	舰板夹紧手柄	CLAMP HANDLE, TRANSOM	2					
29	F4-01010005	舰板夹紧手柄铆钉	RIVET, CLAMP HANDLE	2					
30	F4-01010002	舰板夹紧螺杆	CLAMP BOLT, TRANSOM	2					
31	F4-01010003	舰板夹紧圆盘	CLAMP PLATE, TRANSOM	2					
32	GB/T6170-M6	六角螺母 M6	HEXAGON NUT M6	1					
33	GB/T889.1-M8	非金属嵌件六角锁紧螺母 M8	LOCKNUT M8	1					
34	F4-01000002	双孔固定板	PLATE, SPECTACLE	1					
35	F8-01010200	角度调整杆组件	TILT ROD ASSY	1					
36	F4-01050002	锥形弹簧	CONICAL SPRING	1					

零部件名称: 操舵系统

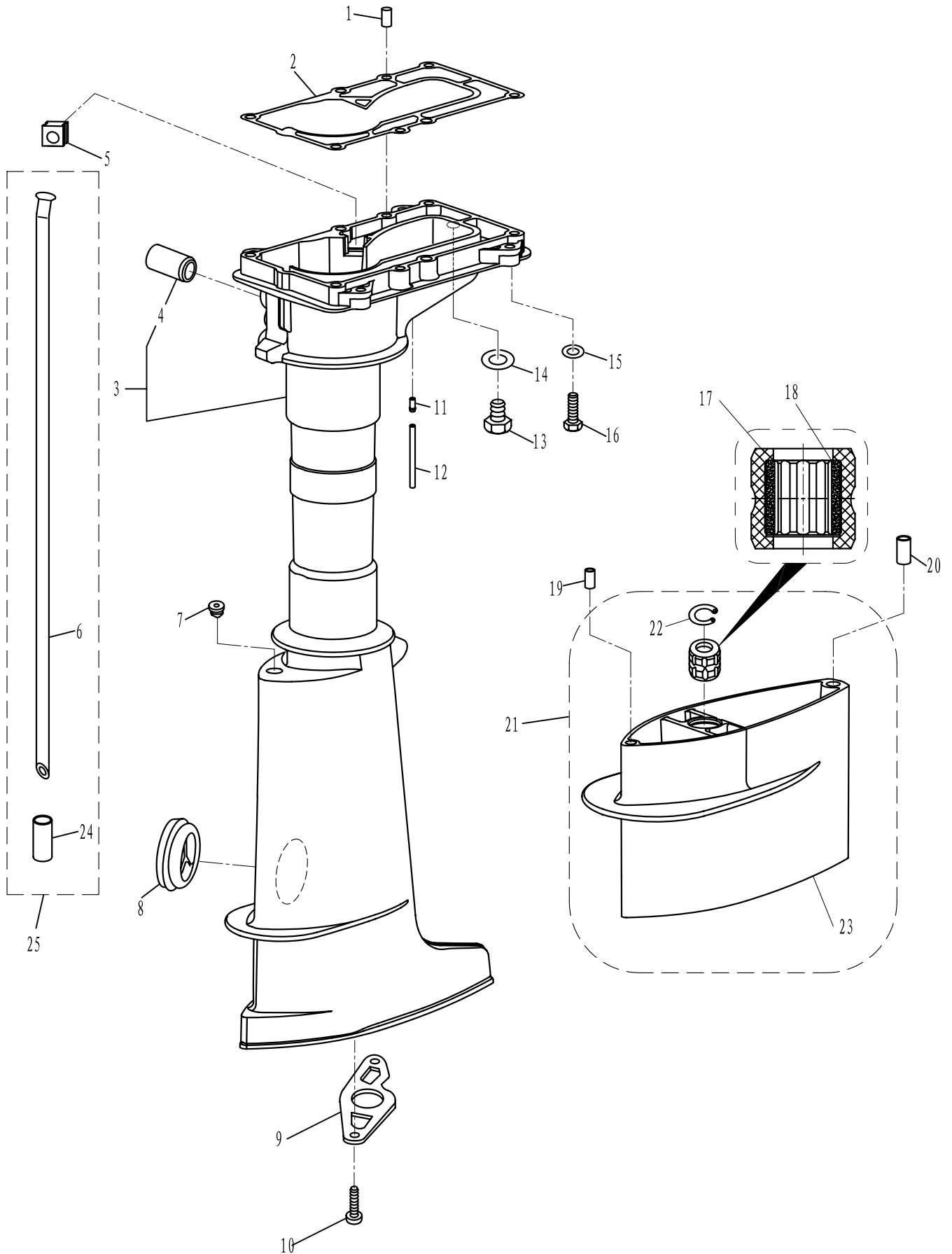
PARTS NAME: STEERING





零部件名称: 水上装置壳体

PARTS NAME: UPPER CASING

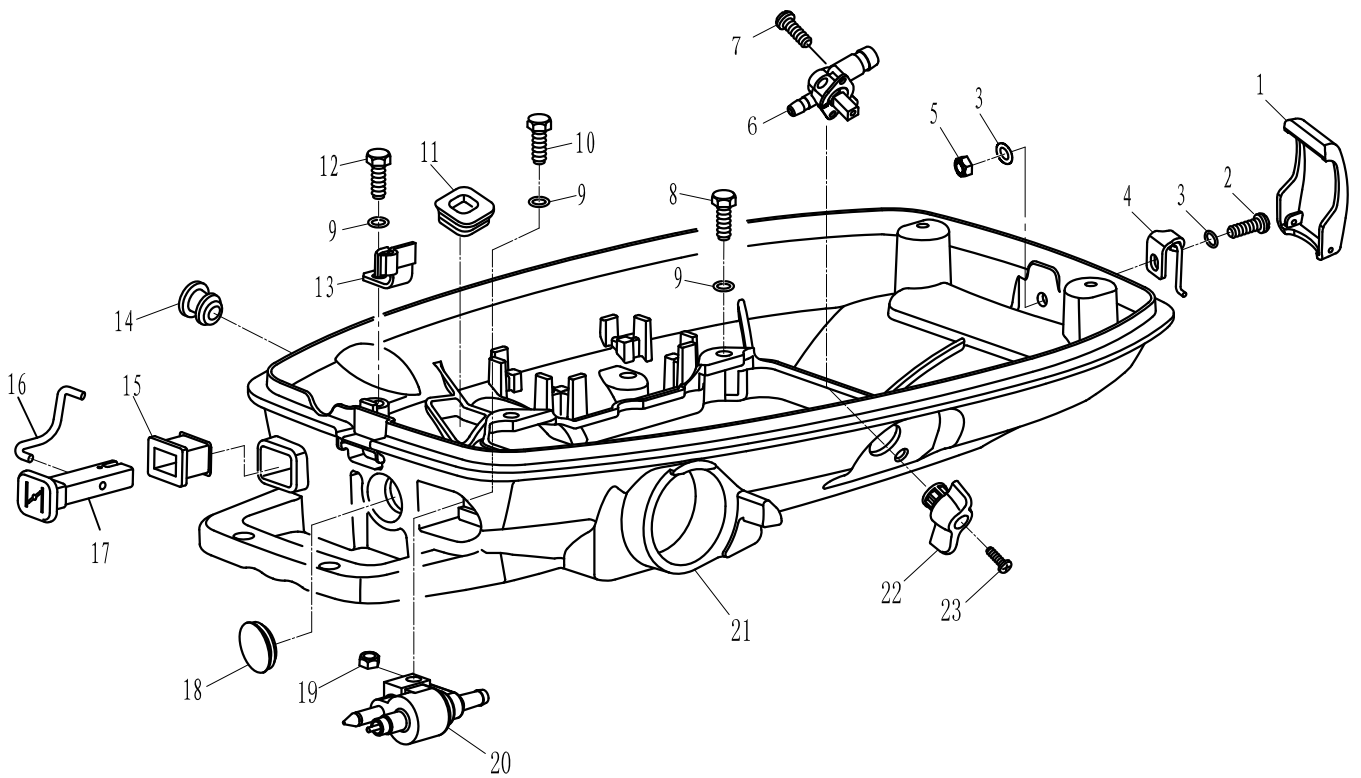






零部件名称: 底罩

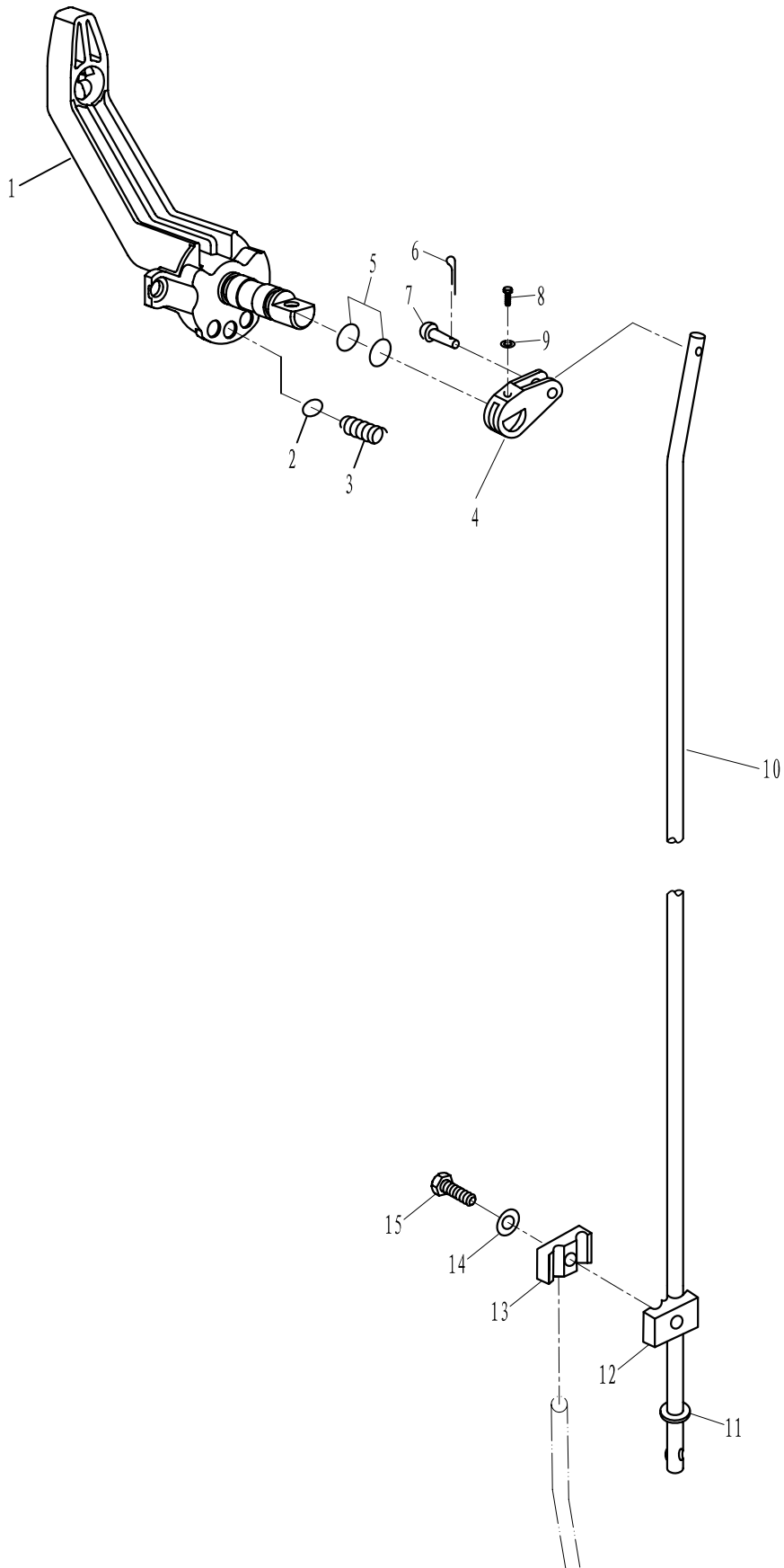
PARTS NAME: BOTTOM COWLING



SN. 参照号码	PART NO. 零件编号	DESCRIPTION 零件名称 (中文)	DESCRIPTION 零件名称 (英文)	QTY 数量				REMARKS 备注
1	F4-05000023	顶罩锁紧钩	LOCKING HOOK	1				
2	GB/T818-M5x16	十字槽盘头螺钉 M5x16	SCREW M5x16	1				
3	GBT97.1-5	平垫圈 5	WASHER 5	2				
4	F4-05000020	顶罩锁紧钩座组件	SEAT ASSY, LOCKING HOOK	1				
5	GB/T889.1-M5	非金属嵌件六角锁紧螺母M5	LOCKNUT M5	1				
6	T5-04000100	燃油开关组件	FUEL COCK ASSY	1				
7	GB/T818-M6x16	十字槽盘头螺钉M6x16	SCREW M6x16	2				
8	GB/T5783-M6x16	六角螺栓 M6x16	BOLT M6x16	4				
9	GBT97.1-6	平垫圈 6	WASHER 6	6				
10	GB/T5783-M6x25	六角螺栓 M6x25	BOLT M6x25	1				
11	T5-04000010	连杆橡胶圈	RUBBER RING, CONNECTING ROD	1				
12	GB/T5783-M6x10	六角螺栓 M6x10	BOLT M6x10	1				
13	T5-04000300	油门钢索固定架	FIXED PLATE, THROTTLE CABLE	1				
14	T5-04000014	圆形堵头B	CIRCULAR PLUG B	1				
15	T5-04000013	阻风门橡胶套	BUSHING, CHOKE	1				
16	T5-04000012	阻风门连杆	CONNECTING ROD, CHOKE	1				
17	T5-04000008	阻风门手柄	HANDLE, CHOKE	1				
18	T5-04000011	圆形堵头A	CIRCULAR PLUG A	1				
19	GB/T6170-M6	六角螺母 M6	NUT M6	1				
20	F4-05000200	燃油管接头组件	FUEL LINE CONNECTOR (ENGINE, MALE)	1				
21	T5-04000001	底罩	BOTTOM COWLING	1				
22	T5-04000102	油开关旋钮	ROTARY KNOB, FUEL COCK	1				
23	GB/T818-M4x12	十字槽盘头螺钉M4x12	SCREW M4x12	1				

零部件名称: 控制系统

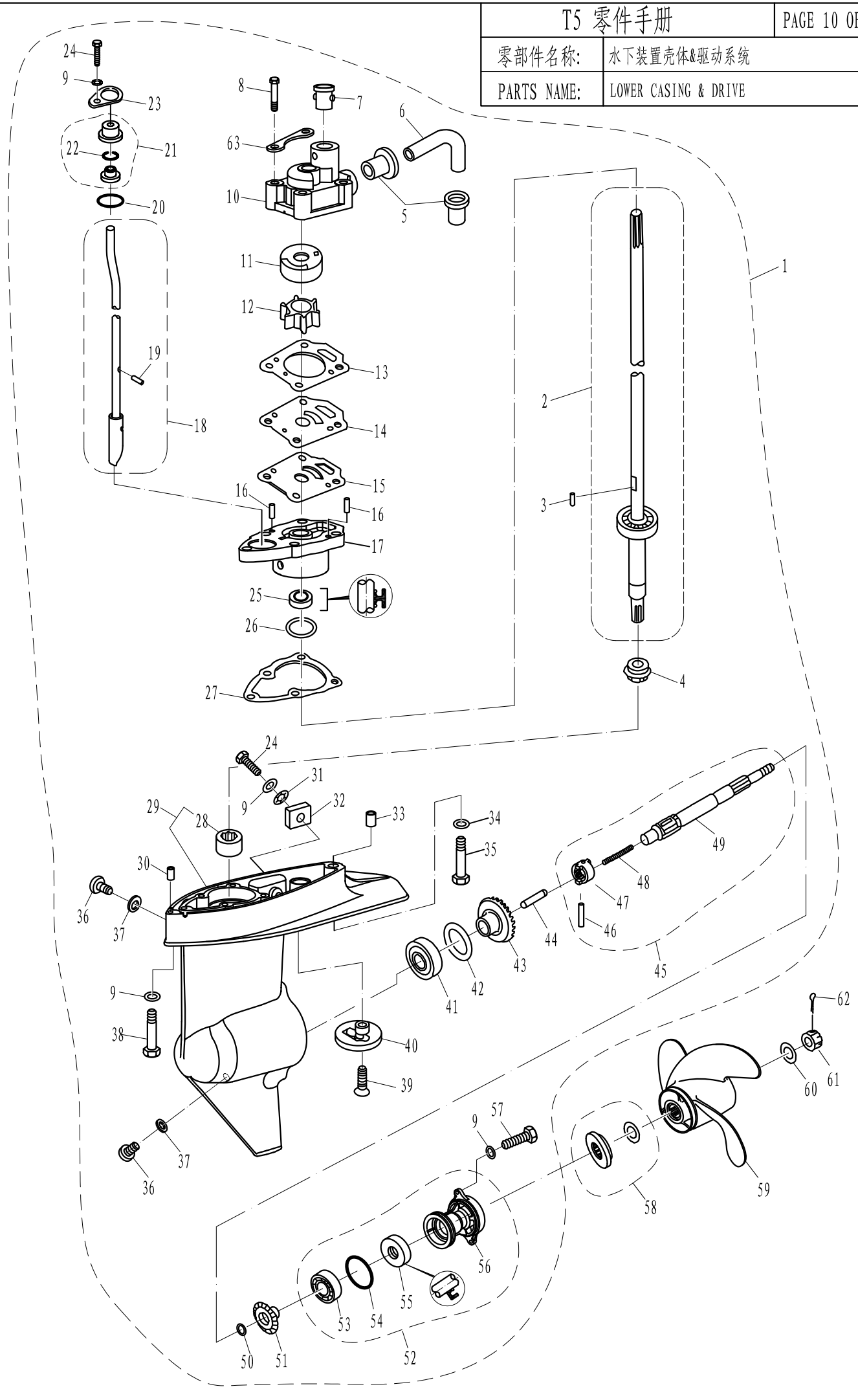
PARTS NAME: CONTROL SYSTEM





零部件名称: 水下装置壳体&驱动系统

PARTS NAME: LOWER CASING & DRIVE



零部件名称:

水下装置壳体&amp;驱动系统

PARTS NAME:

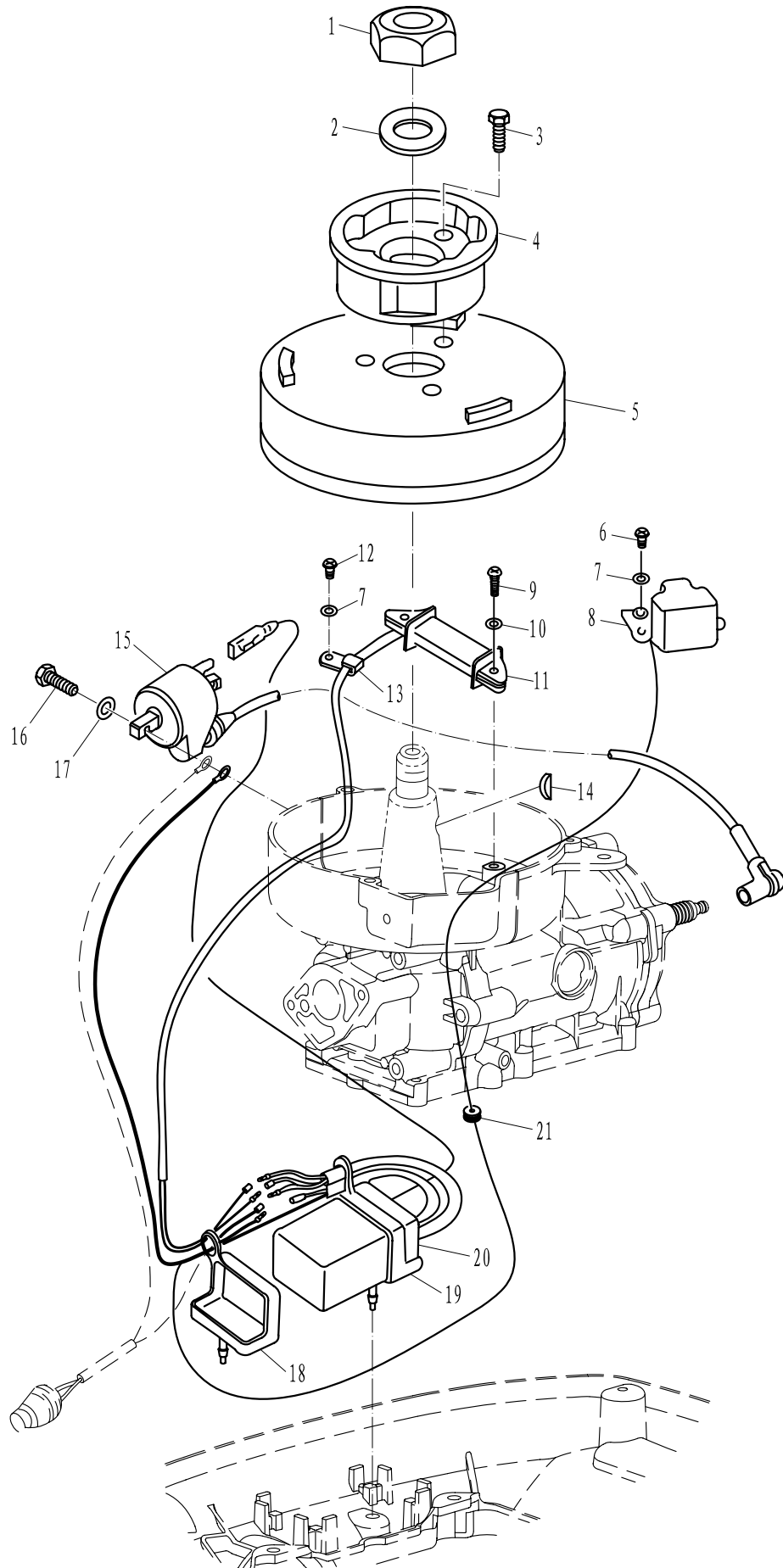
LOWER CASING &amp; DRIVE

SN. 参照号码	PART NO. 零件编号	DESCRIPTION 零件名称(中文)	DESCRIPTION 零件名称(英文)	QTY 数量					REMARKS 备注
1	T5-0300000L	水下装置壳体总成(L)	GEAR CASE ASSY(L)	1					
	T5-0300000S	水下装置壳体总成(S)	GEAR CASE ASSY(S)	1					
2	T5-0302000L	驱动轴组件(L)	DRIVE SHAFT ASSY(L)	1					
	T5-0302000S	驱动轴组件(S)	DRIVE SHAFT ASSY(S)	1					
3	T5-03000009	叶轮定位销	PIN, IMPELLER	1					
4	T5-03000003	小齿轮	PINION	1					
5	T5-03000013	水管导向套A	BUSHING A, WATER PIPE	2					
6	T5-03000012	进水管B	WATER PIPE B	1					
7	T5-03000014	水管导向套B	BUSHING B, WATER PIPE	1					
8	GB/T5782-M6x45	六角螺栓 M6x45	BOLT M6x45	4					
9	GB/T97.1-6	平垫圈6	WASHER 6	5					
10	T5-03000010	水泵壳体	WATER PUMP	1					
11	T5-03000011	水泵内壳	INNER COVER, WATER PUMP	1					
12	T5-03000300	水泵叶轮	IMPELLER, WATER PUMP	1					
13	T5-03000008	外挡板上密封垫	UPPER GASKET, OUTER PLATE	1					
14	T5-03000007	外挡板	OUTER PLATE	1					
15	T5-03000006	外挡板下密封垫	DOWN GASKET, OUTER PLATE	1					
16	F25-04000007	定位销 $\phi 4 \times 10$	PIN $\phi 4 \times 10$	2					
17	T5-03000201	水泵座	BASE, WATER PUMP	1					
18	T5-03000100L	变档凸轮轴组件(L)	CAM ASSY, SHIFT ROD(L)	1					
	T5-03000100S	变档凸轮轴组件(S)	CAM ASSY, SHIFT ROD(S)	1					
19	GB/T879.2-1.5x12	轻型直槽弹性圆柱销 1.5x12	PIN 1.5x12	1					
20	JISB2401 P16	O型圈15x2.65	O-RING 15x2.65	1					
21	T5-03000020	变档轴导向套组件	ORIENTED BUSHING ASSY, SHIFT ROD	1					
22	T5-03000022	导向套密封圈B	SEAL B, ORIENTED BUSHING	1					
23	T5-03000023	导向套固定板	PLATE, ORIENTED BUSHING	1					
24	GB/T5783-M6x16	六角螺栓 M6x16	BOLT M6x16	2					
25	T5-03000202	水泵座油封	OIL SEAL, WATER PUMP BASE	1					
26	T5-03000004-1	驱动轴填隙片 0.10mm	SHIM 0.10mm						
	T5-03000004-2	驱动轴填隙片 0.15mm	SHIM 0.15mm						
27	T5-03000005	水泵座密封垫	GASKET, WATER PUMP BASE	1					
28	TLA1412Z	滚针轴承	NEEDLE BEARING	1					
29	T5-03000700	水下装置壳体组件	GEAR CASE	1					
30	T5-00000001	空心定位销 $\Phi 7.5 \times 10$	HOLLOW PIN $\Phi 7.5 \times 10$	1					
31	GB/T861.1-6	内齿锁紧垫圈6	LOCK WASHER 6	1					
32	T5-03000017	水下阳极	ANODE	1					
33	T5-00000002	空心定位销 $\Phi 9.5 \times 10$	HOLLOW PIN $\Phi 9.5 \times 10$	1					
34	GB/T97.1-8	平垫圈 8	WASHER 8	1					
35	GB/T5782-M8x40	六角螺栓 M8x40	BOLT M8x40	1					S
	GB/T5782-M8x167	六角螺栓 M8x167	BOLT M8x167	1					L
36	F4-03000023	注油孔螺栓	PLUG, GEAR BOX	2					
37	F4-03000024	注油孔螺栓密封垫	GASKET, GEAR BOX PLUG	2					
38	GB/T5782-M6x45	六角螺栓 M6x45	BOLT M6x45	1					S



零部件名称: 电气系统

PARTS NAME: ELECTRICAL SYSTEM

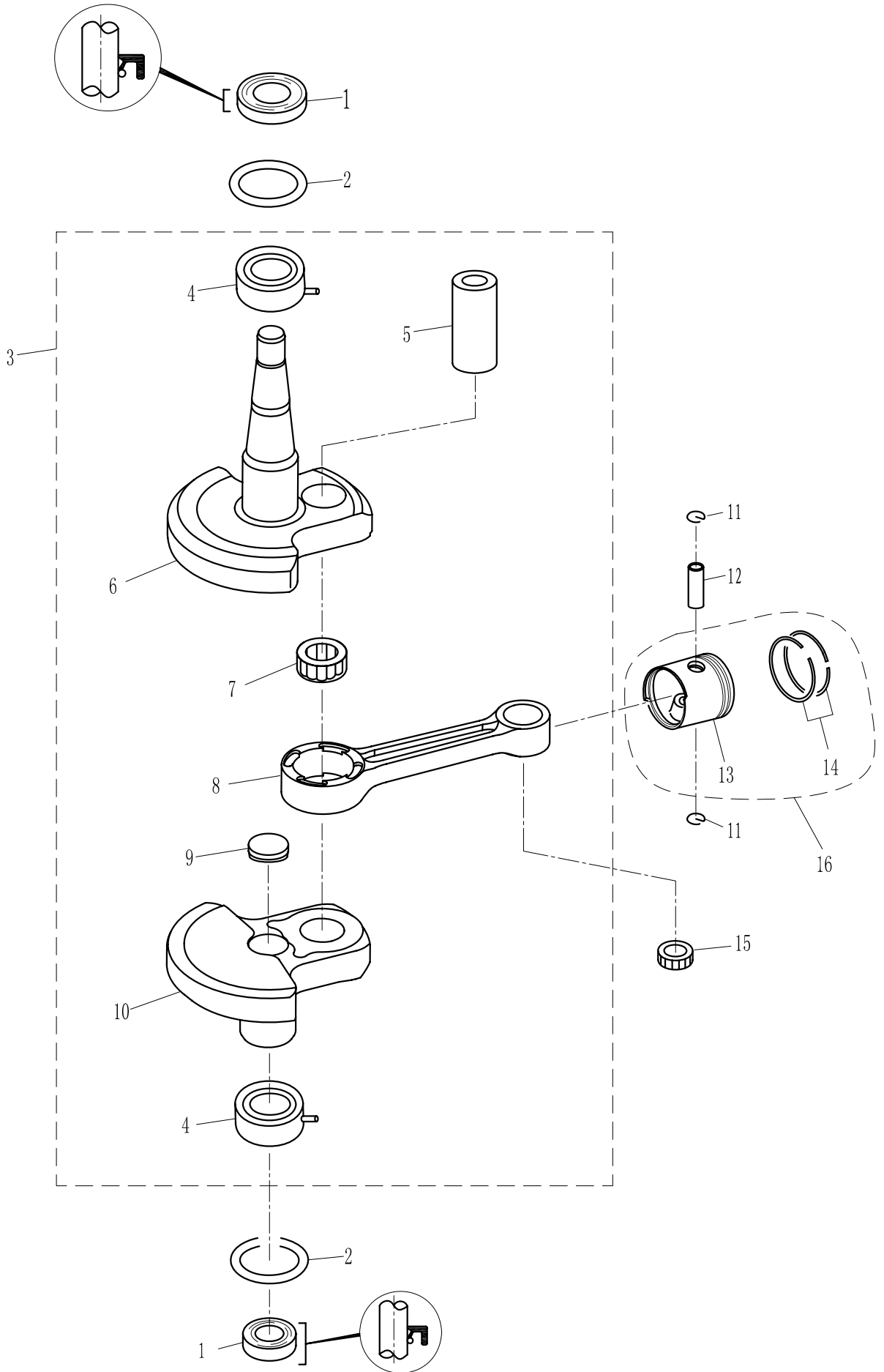






零部件名称: 曲轴&活塞

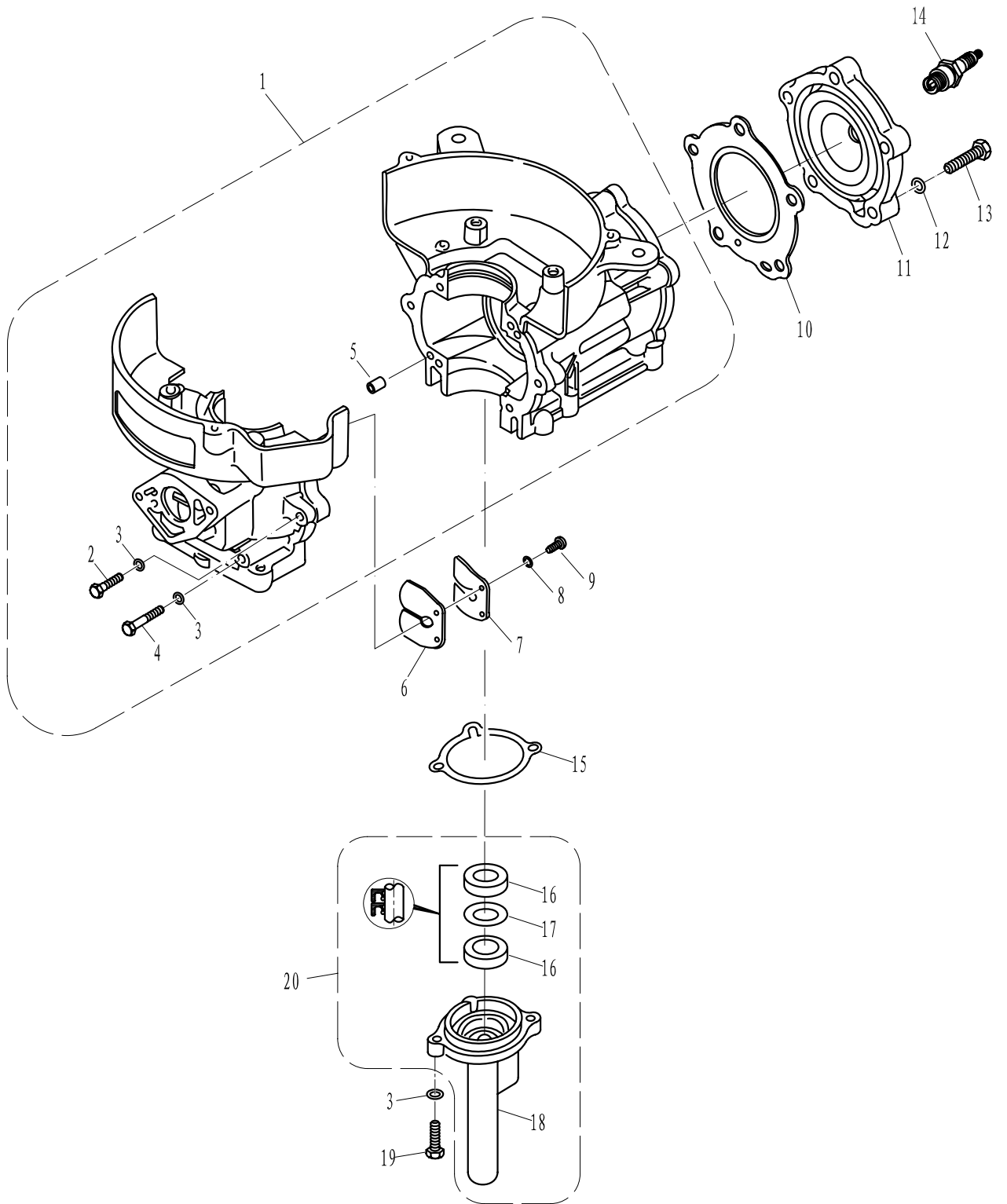
PARTS NAME: CRANKSHAFT & PISTON





零部件名称: 曲轴箱

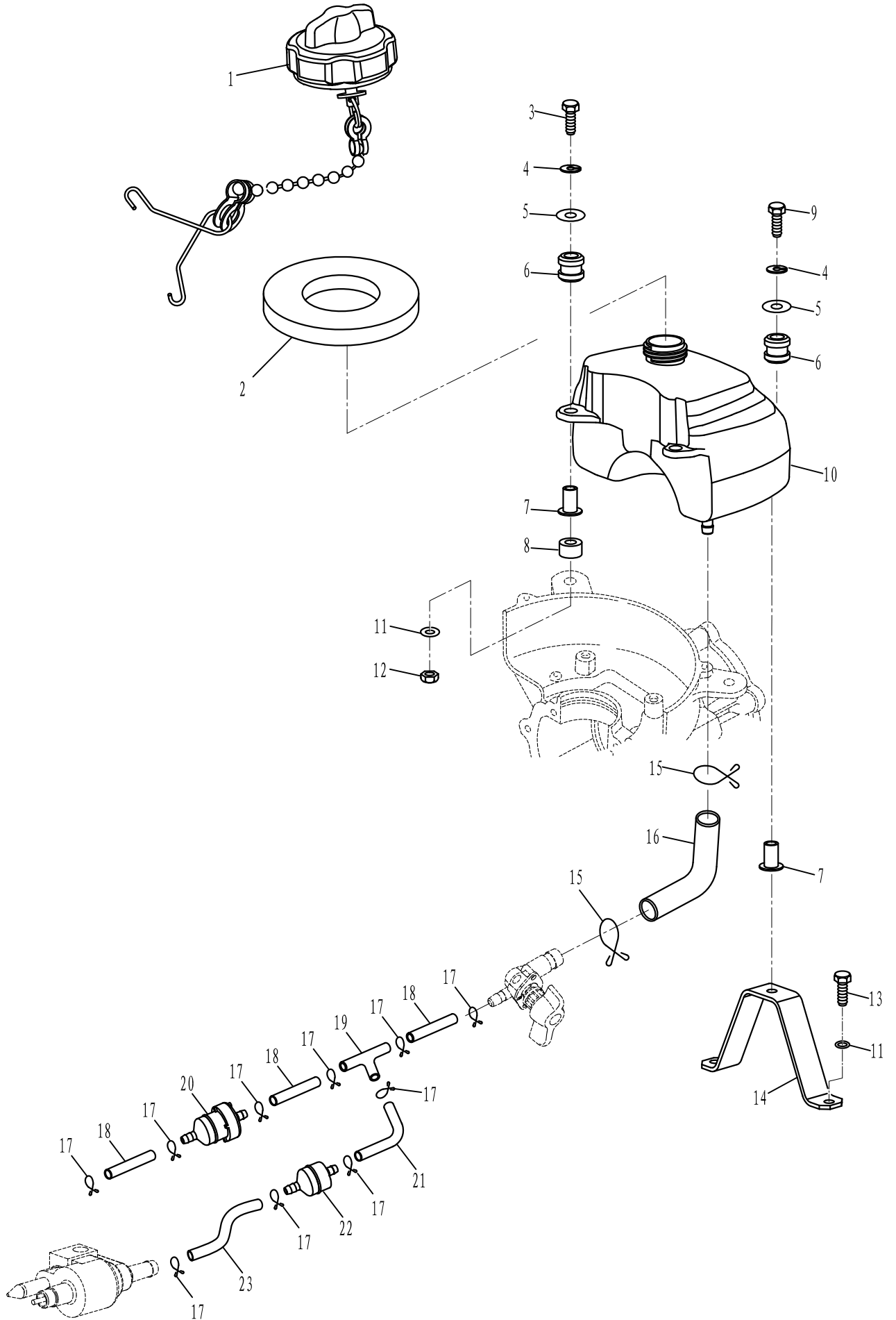
PARTS NAME: CRANKCASE





零部件名称: 燃油系统

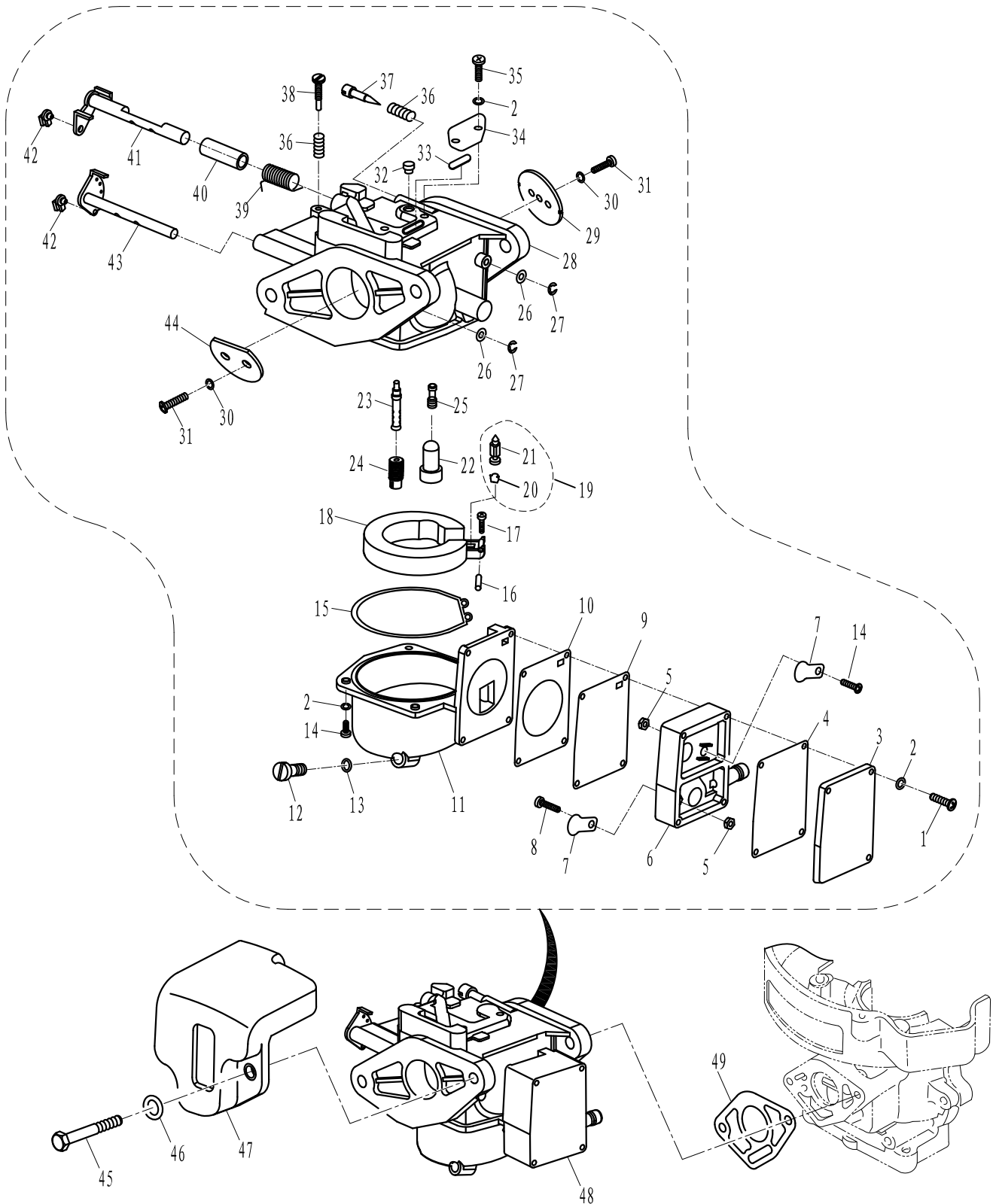
PARTS NAME: FUEL SYSTEM





零部件名称: 化油器总成

PARTS NAME: CARBURETOR ASSY



SN. 参照号码	PART NO. 零件编号	DESCRIPTION 零件名称(中文)	DESCRIPTION 零件名称(英文)	QTY 数量					REMARKS 备注
1	GB/T818-M4x22	十字槽盘头螺钉M4x22	SCREW M4x22	4					
2	GB/T93-4	弹性垫圈 4	SPRING-WASHER 4	10					
3	T8-05000834	燃油泵盖	COVER, FUEL PUMP	1					
4	T8-05000833	燃油泵盖密封垫	GASKET, FUEL PUMP COVER	1					
5	GB/T6170-M3	六角螺母 M3	NUT M3	2					
6	T15-04060304	燃油泵壳	FUEL PUMP SHELL	1					

零部件名称:

化油器总成

PARTS NAME:

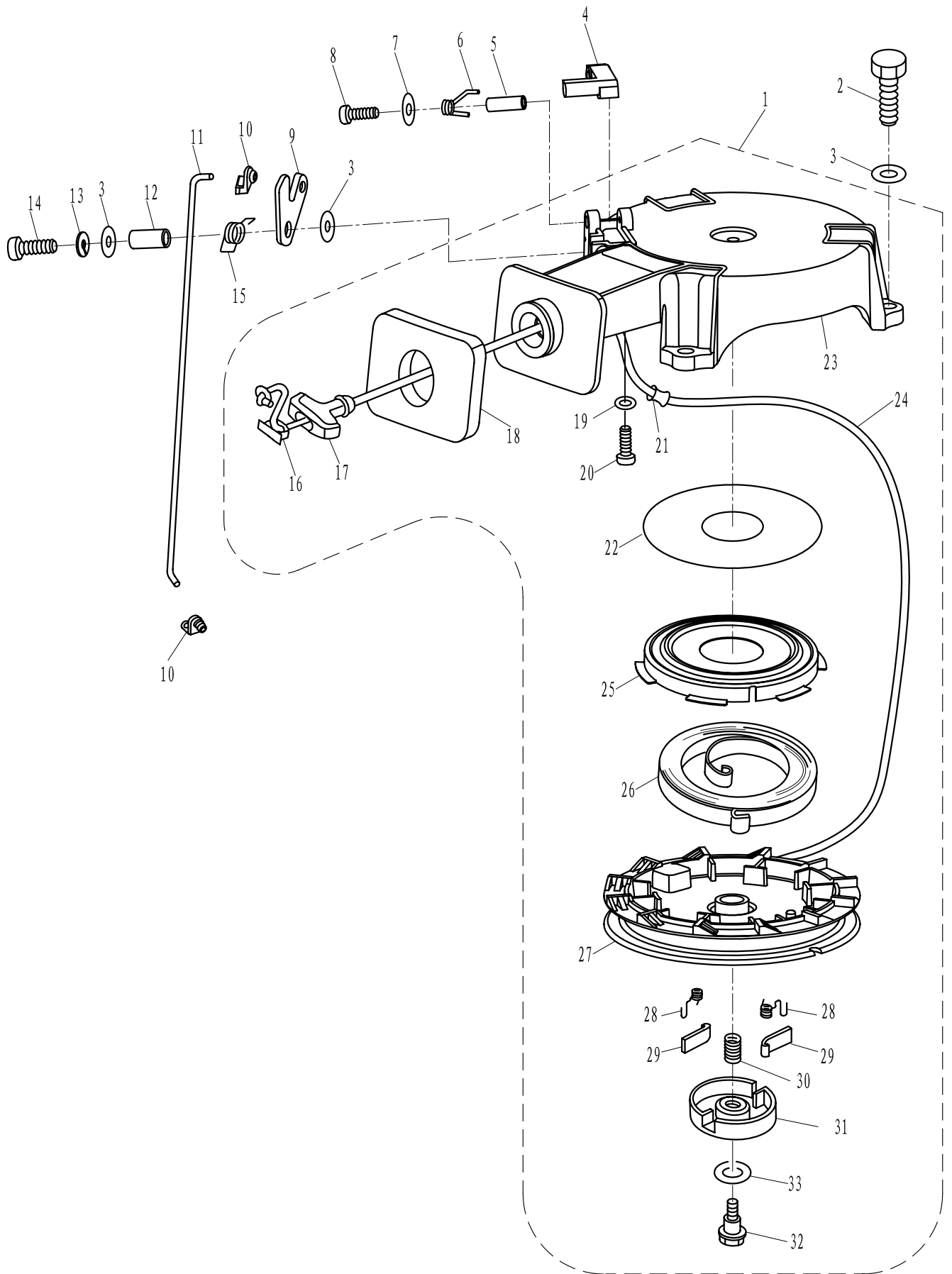
CARBURETOR ASSY

SN. 参照号码	PART NO. 零件编号	DESCRIPTION 零件名称(中文)	DESCRIPTION 零件名称(英文)	QTY 数量					REMARKS 备注
7	F4-04090005	单向阀片	CHECK VALVE	2					
8	F4-04090011	阀片螺钉	SCREW M3x5	2					
9	T8-05000826	燃油泵隔膜	DIAPHRAGM, FUEL PUMP	1					
10	T8-05000829	燃油泵壳密封垫	GASKET, FUEL PUMP	1					
11	T5-05000501	油杯本体	CUP, FUEL PUMP	1					
12	T8-05000824	放油螺塞	FUEL DRAIN BOLT	1					
13	T8-05000825	放油螺塞垫片	GASKET, FUEL DRAIN BOLT	1					
14	GB/T818-M4x14	十字槽盘头螺钉M4x14	BOLT M4x14	4					
15	T8-05000822	油杯本体密封垫	GASKET, FUEL PUMP CUP	1					
16	T5-05000502	浮子销	PIN, FLOAT	1					
17	GB/T818-M4x6	十字槽盘头螺钉M4x6	SCREW M4x6	1					
18	T5-05000503	浮子	FLOAT	1					
19	T5-05000504	针阀组件	NEEDLE VALVE ASSY	1					
20	T5-05000505-2	针阀弹簧	SPRING, NEEDLE VALVE	1					
21	T5-05000505-1	针阀	NEEDLE VALVE	1					
22	T5-05000506	胶帽	RUBBER CAP	1					
23	T5-05000507	主喷嘴	MIAN NOZZLE	1					
24	T5-05000508	主量孔	MIAN JET	1					
25	T5-05000509	空气减速量孔	JET, AIR SLOW	1					
26	T5-05000510	摆杆垫圈	WASHER, SWING LINK	2					
27	GB/T896-4	开口挡圈 4	CIRCLIP 4	2					
28	T5-05000511	化油器本体	CARBURETOR BODY	1					
29	T5-05000512	油门挡板	APRON, THROTTLE	1					
30	GB/T93-3	弹性垫圈 3	SPRING-WASHER 3	3					
31	GB/T818-M3x5	十字槽盘头螺钉M3x5	SCREW M3x5	3					
32	T5-05000513	堵头	PLUG	1					
33	T5-05000514	橡胶板	RUBBER PLATE	1					
34	T5-05000515	面板	PLATE	1					
35	GB/T818-M4x10	十字槽盘头螺钉 M4x10	SCREW M4x10	2					
36	T5-05000516	调节螺钉弹簧	ADJUSTING SPRING	2					
37	T5-05000517	怠速螺钉	IDLE SCREW	1					
38	T5-05000518	油门停止螺钉	STOP SCREW	1					
39	T5-05000519	油门摆杆扭簧	TWIST SPRING	1					
40	T5-05000520	油门摆杆垫管	BUSHING, SWING LINK	1					
41	T5-05000521	油门摆杆组件	THROTTLE BAR ASSY	1					
42	T5-05000522	油门控制器连杆接头	TIE-IN, THROTTLE CONTROL	2					
43	T5-05000523	阻风门摆杆组件	ROD ASSY, CHOKE	1					
44	T5-05000524	阻风门挡板	APRON, CHOCK	1					
45	GB/T5783-M6x85	六角螺栓 M6x85	BOLT M6x85	2					
46	GB/T96-6	大垫圈 6	BIG WASHER 6	2					
47	T5-05000008	进气消音器	INTAKE MUFFLER	1					
48	T5-05000500	化油器总成	CARBURETOR ASSY	1					
49	T8-05000012	化油器密封垫	GASKET, CARBURETOR	1					



零部件名称: 起动机

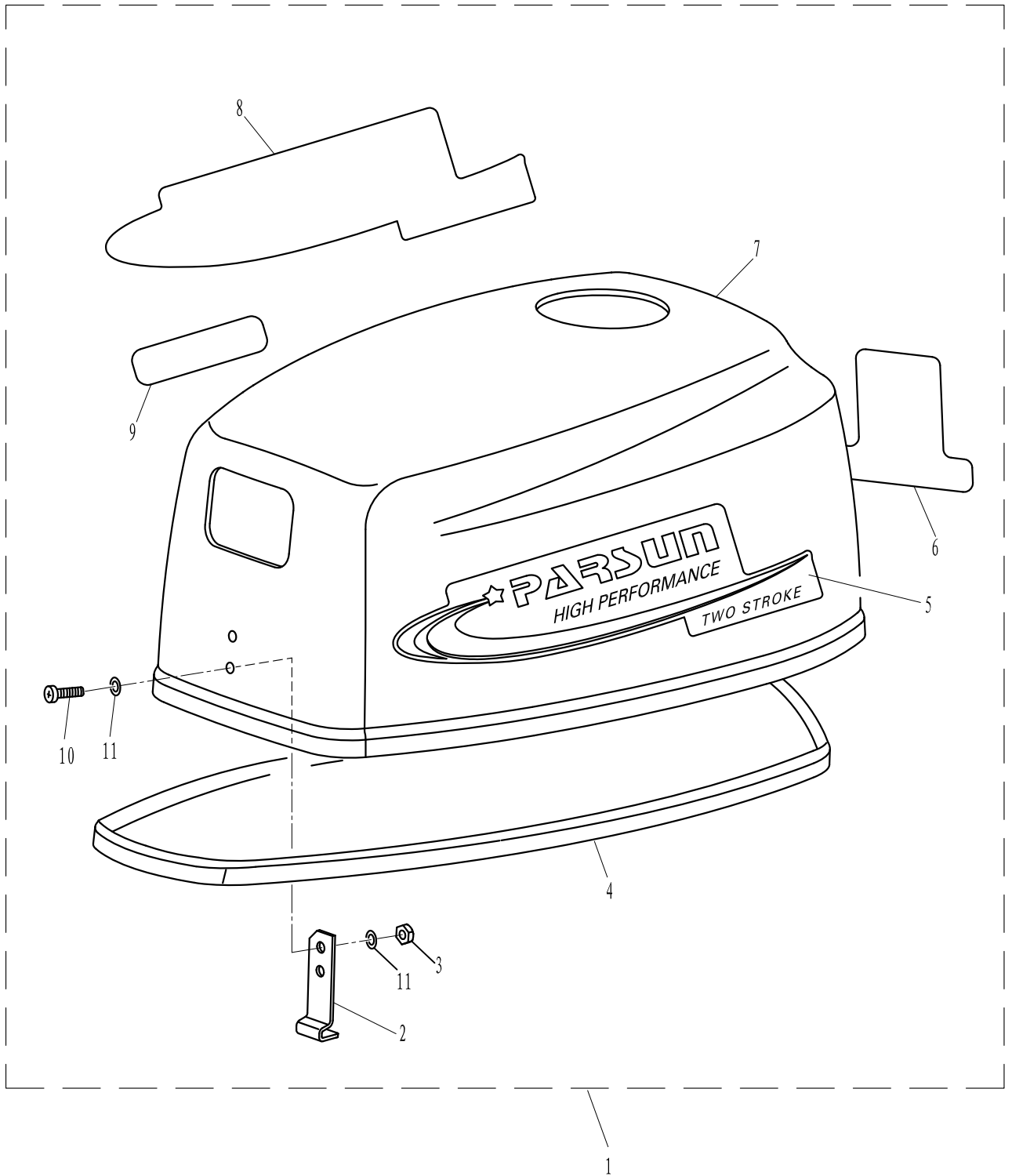
PARTS NAME: STARTER





零部件名称: 顶罩组件

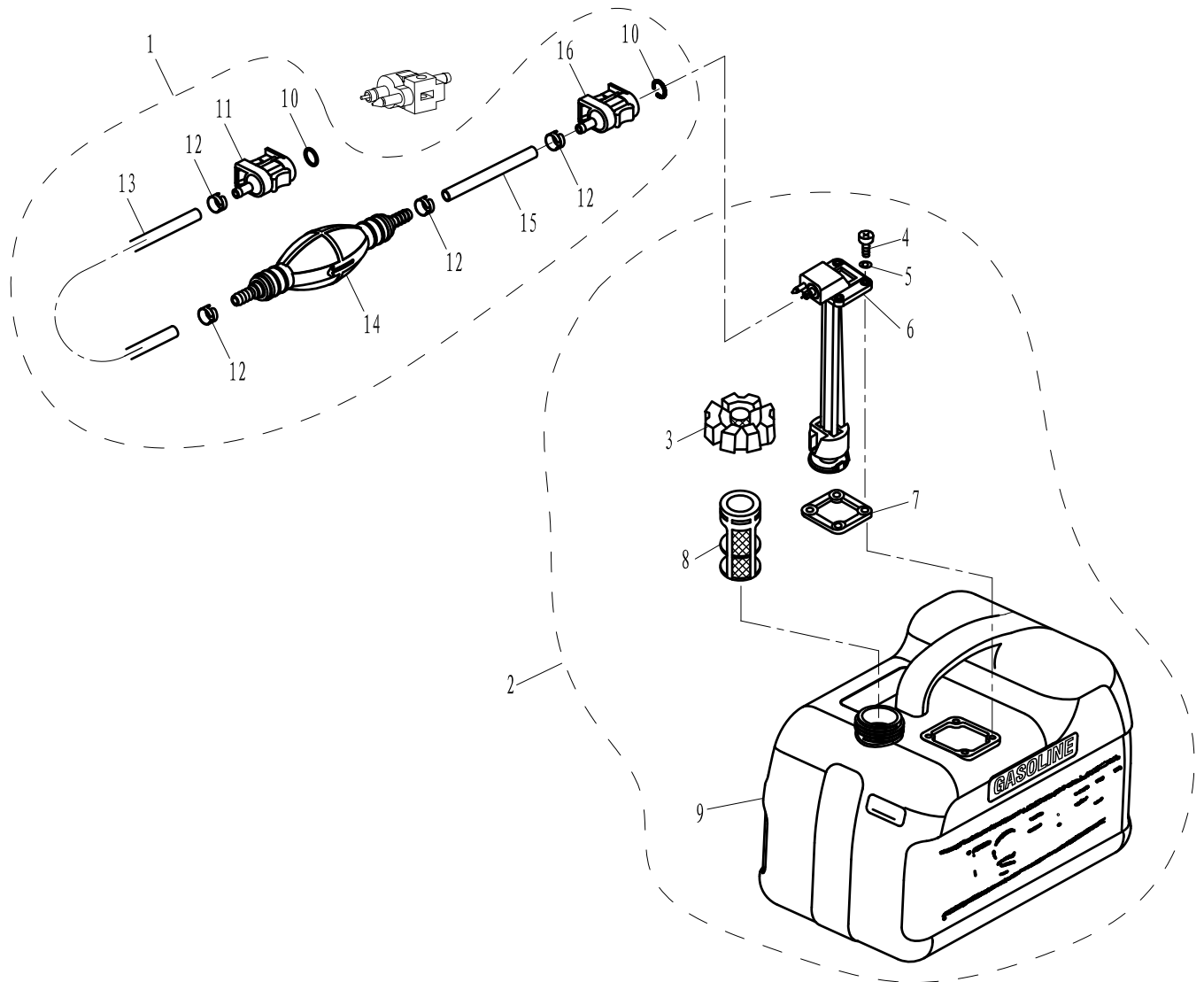
PARTS NAME: TOP COWLING ASSY





零部件名称: 燃油箱 (12L)

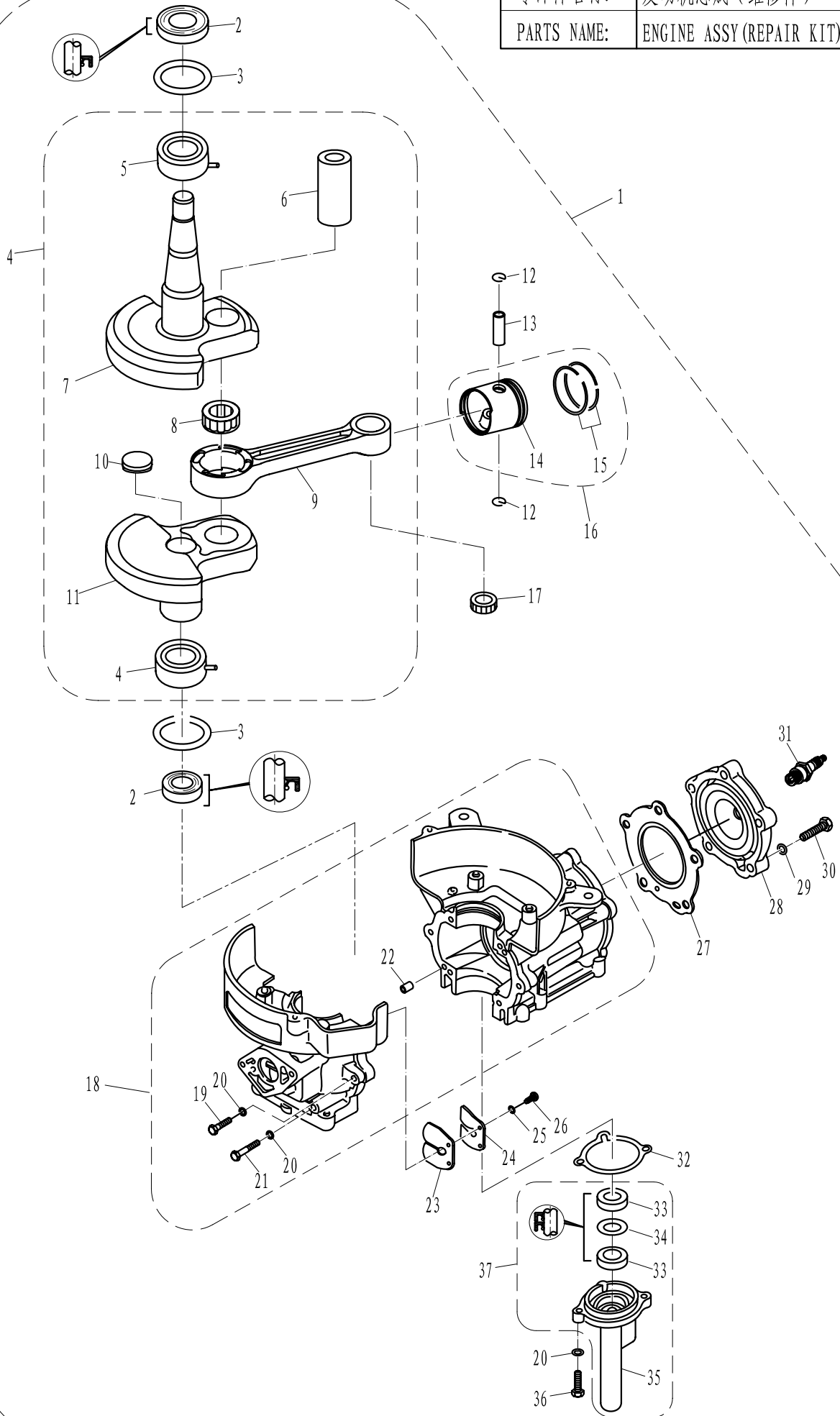
PARTS NAME: FUEL TANK (12L)



SN. 参照号码	PART NO. 零件编号	DESCRIPTION 零件名称(中文)	DESCRIPTION 零件名称(英文)	QTY 数量					REMARKS 备注
1	F15-09000000	油管总成	FUEL LINE ASSY	1					
2	F8-10000000	油箱组件 (12L)	PORTABLE FUEL TANK ASSY (12L)	1					
3	F15-10010000	油箱盖组件	CAP ASSY, FUEL TANK	1					
4	GB/T818-M5x16	十字槽盘头螺钉M5×16	PAN HEAD SCREW M5x16	4					
5	GB/T97.1-5	平垫圈5	PLAIN WASHER 5	4					
6	F15-10020000	油量计总成	OLEOMETER ASSY	1					
7	F15-10000003	衬垫	GASKET, OLEOMETER ASSY	1					
8	F15-10000002	油箱滤网	STRAINER, FUEL TANK	1					
9	F8-10000001	油箱本体	FUEL TANK	1					(12L)
10	JASO F404-78-31	O形圈7.8x3.1	O-RING 7.8x3.1	2					
11	F15-09020000	燃油接头组件(出)	FUEL LINE CONNECTOR (ENGINE SIDE, FEMALE)	1					
12	F15-09000003	卡箍 B	CLAMP B	4					
13	F15-09000001	油管A(φ10xφ6φ2080)	FUEL LINE A (φ10xφ6x2080)	1					
14	F15-09030000	手动油泵组件	PRIMER BULB ASSY	1					
15	F15-09000002	油管B(φ10xφ6x850)	FUEL LINE B (φ10xφ6x850)	1					
16	F15-09010000	燃油接头组件(进)	FUEL LINE CONNECTOR (FUEL TANK SIDE, FEMALE)	1					

零部件名称: 发动机总成 (维修件)

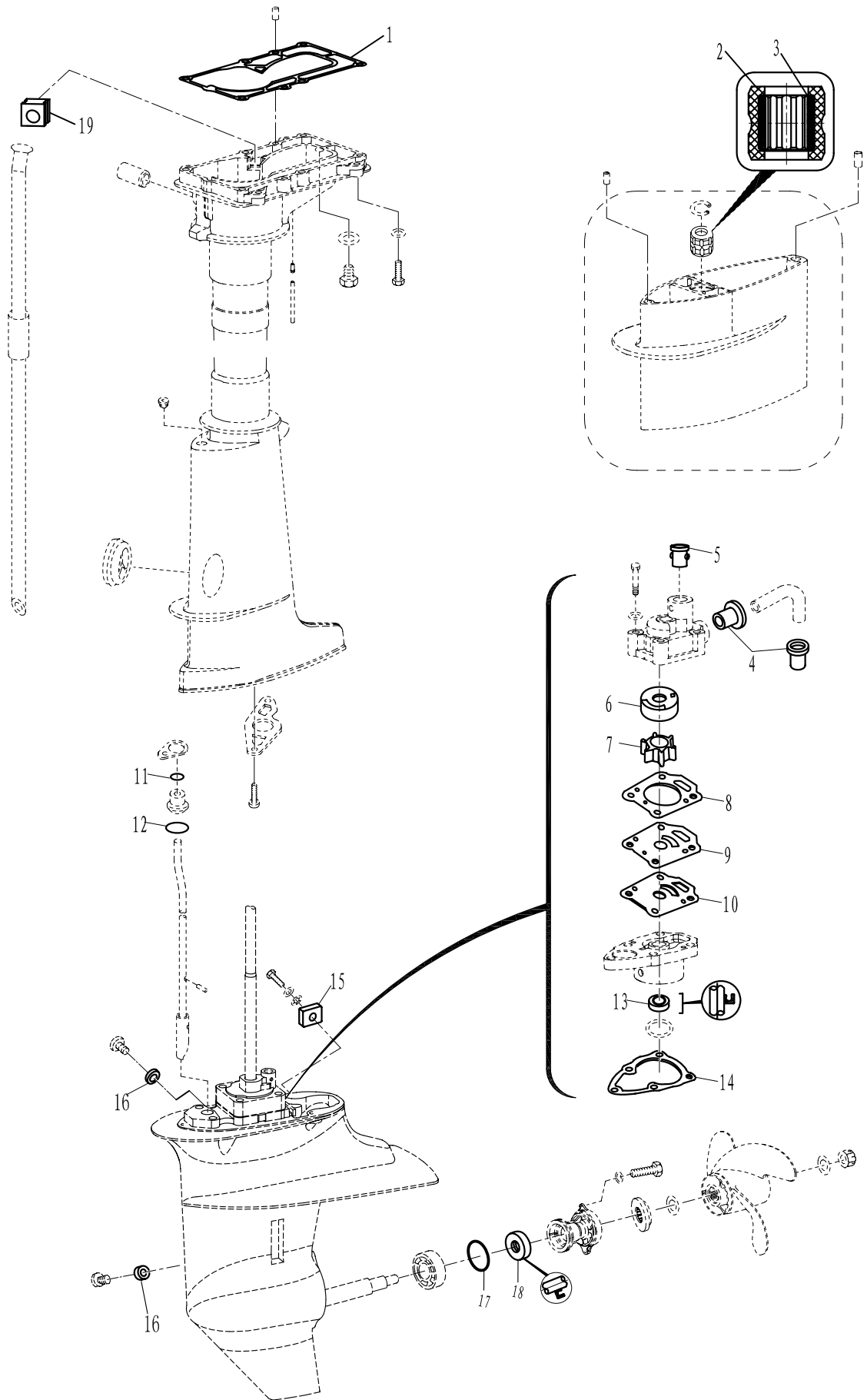
PARTS NAME: ENGINE ASSY(REPAIR KIT)





零部件名称: 附件 I (修理件)

PARTS NAME: APPENDIX I (REPAIR KIT)

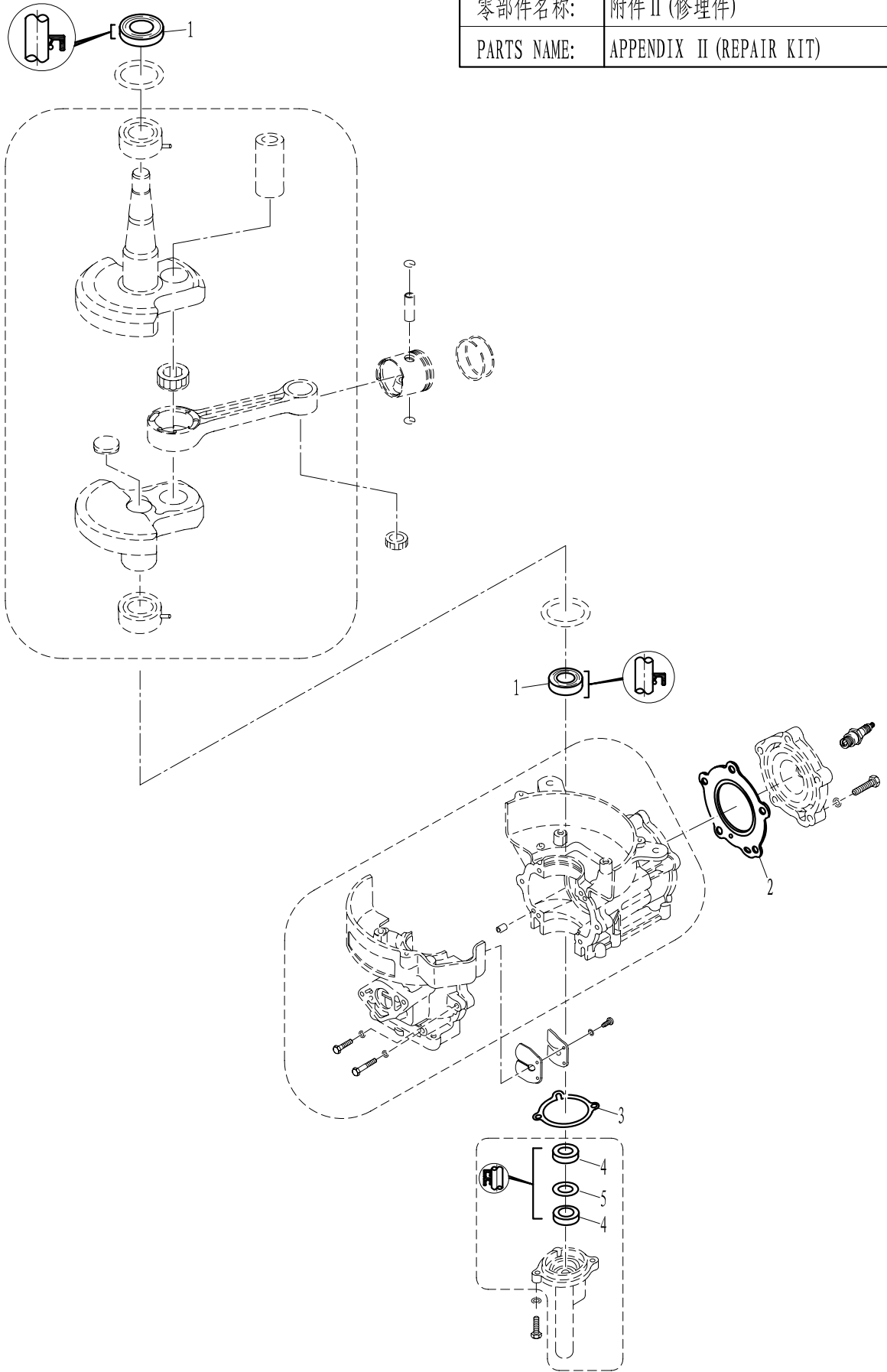






零部件名称: 附件 II (修理件)

PARTS NAME: APPENDIX II (REPAIR KIT)



SN. 参照号码	PART NO. 零件编号	DESCRIPTION 零件名称 (中文)	DESCRIPTION 零件名称 (英文)	QTY 数量				REMARKS 备注
1	T5-05010002	曲轴油封 20x47x8	OIL SEAL 20x47x8	2				
2	T5-05000001	缸头复合垫	GASKET, CYLINDER HEAD	1				
3	T5-05030004	油封壳体密封垫	GASKET, OIL SEAL CASING	1				
4	T5-05030002	油封壳体油封 10.1x25x7	OIL SEAL 10.1x25x7	2				
5	T5-05030003	油封垫圈	WASHER, OIL SEAL	1				

零部件名称:

零件目录检索表

PARTS NAME:

PARTS CATALOGUE INDEX

零件代号 PART NO.	页码/序号 PAGE/NO.	零件代号 PART NO.	页码/序号 PAGE/NO.	零件代号 PART NO.	页码/序号 PAGE/NO.
BPR7HS	18-14	F4-04120003	20-7	F15-10010000	27-3
JASO F404-18-31	27-10	F4-04120100	20-1	F15-10020000	27-6
JASOF404 31-050	12-54	F4-04130013	24-21	F25-04000007	11-16
JB/T7940.1-M6	2-8	F4-04130101	24-17	T15-01020400	4-19
JISB2401 P16	11-20	F4-04130102	24-16	T15-04000011	14-2
JISB2401-P9	9-5	F4-05000007	20-21	T15-04010202	6-11
F2.6-00000001	9-13	F4-05000010	20-15	T15-04060304	21-6
F2.6-00000002	9-12	F4-05000014	4-5	T15-06000001	26-8
F2.6-01050002	2-6	F4-05000020	7-4	T15-06000002	26-5
F2.6-01050100	2-5	F4-05000023	7-1	T20-03000002	24-33
F2.6-03020003L	6-17	F4-05000030	20-17	T5-00000001	6-19
F4-00000005	9-14	F4-05000200	7-20		11-30
F4-01000002	2-34	F4-05000300	20-20	T5-00000002	6-20
F4-01000003	2-12	F4-08000006	26-6		11-33
F4-01000006	2-20	F4-08000014	4-25	T5-00000003	6-2
F4-01000007	2-19	F4-08000016	4-26	T5-01010001	2-10
F4-01000008	4-3	F6-03010000	12-59	T5-01010002	2-22
F4-01000009	4-8	F8-01010001	2-16	T5-01010003	2-1
F4-01000010	4-6	F8-01010103	2-26	T5-01010004	2-9
F4-01000011	4-4	F8-01010105	2-25	T5-01010005	2-17
F4-01000012	4-7	F8-01010200	2-35	T5-01010100	2-11
F4-01000014	4-2	F8-04000002-1	12-42	T5-01010201	2-2
F4-01010000	2-13	F8-04000002-2		T5-01010300	2-21
F4-01010002	2-30	F8-04000012	12-50	T5-01010400	2-23
F4-01010003	2-31	F8-04040004	12-55	T5-02000002S	6-6
F4-01010004	2-28	F8-05000024	14-1	T5-02000002L	
F4-01010005	2-29	F8-05050002	24-22	T5-02000003	6-24
F4-01020000	2-27	F8-05050003	24-25	T5-02000004	6-4
F4-01030103	2-24	F8-05050004	24-26	T5-02000005	9-4
F4-01050002	2-36	F8-05050006	24-29	T5-02000006	9-10
F4-01090001	4-9	F8-05050007	24-28	T5-02000007	9-7
F4-01090002	4-11	F8-05050008	24-31	T5-02000008	6-9
F4-01090003	4-17	F8-05050009	24-30	T5-02000009	24-11
F4-01090004	4-16	F8-05050010	24-32	T5-02000010	6-12
F4-01090006	4-22	F8-08000010	26-9	T5-02000011	6-5
F4-01090007	4-21	F8-10000000	27-2	T5-02000100	9-1
F4-01090100	4-15	F8-10000001	27-9	T5-02000200	6-3
F4-01090200	4-23	F15-00000006	6-1	T5-02000300S	6-25
F4-01090400	4-14		18-5	T5-02000300L	
F4-01090401	4-13	F15-05000011	20-19	T5-02010000	6-21
F4-02000005	9-3	F15-06000016	12-61	T5-02010001	6-23
F4-02000011	6-7	F15-09000000	27-1	T5-02010002	6-18
F4-02000012	6-8	F15-09000001	27-13	T5-03000000L	11-1
F4-03000023	11-36	F15-09000002	27-15	T5-03000000S	
F4-03000024	6-14	F15-09000003	27-12	T5-03000003	11-4
F4-03000024	11-37	F15-09010000	27-16	T5-03000004-1	11-26
F4-04030011	24-24	F15-09020000	27-11	T5-03000004-2	
F4-04090005	22-7	F15-09030000	27-14	T5-03000005	11-27
F4-04090011	22-8	F15-10000002	27-8	T5-03000006	11-15
F4-04120002	20-6	F15-10000003	27-7	T5-03000007	11-14

零部件名称:

零件目录检索表

PARTS NAME:

PARTS CATALOGUE INDEX

零件代号 PART NO.	页码/序号 PAGE/NO.	零件代号 PART NO.	页码/序号 PAGE/NO.	零件代号 PART NO.	页码/序号 PAGE/NO.
T5-03000008	11-13	T5-04000402	14-18	T5-05020100	16-3
T5-03000009	11-3	T5-04010100	4-10	T5-05020101	16-6
T5-03000010	11-10	T5-04020001	20-10	T5-05020102	16-5
T5-03000011	11-11	T5-05000001	18-10	T5-05020103	16-7
T5-03000012	11-6	T5-05000002	18-11	T5-05020104	16-8
T5-03000013	11-5	T5-05000003	18-13	T5-05020105	16-10
T5-03000014	11-7	T5-05000004	14-21	T5-05020106	16-9
T5-03000016	12-40	T5-05000005	14-13	T5-05020200	16-16
T5-03000017	11-32	T5-05000008	22-47	T5-05030000	18-20
T5-03000020	11-21	T5-05000010	20-8	T5-05030001	18-18
T5-03000021	12-63	T5-05000100	14-8	T5-05030002	18-16
T5-03000022	11-22	T5-05000200	14-11	T5-05030003	18-17
T5-03000023	11-23	T5-05000300	14-5	T5-05030004	18-15
T5-03000100L	11-18	T5-05000400	14-15	T5-05040000	24-1
T5-03000100S		T5-05000500	22-48	T5-05040002	24-27
T5-03000201	11-17	T5-05000501	22-11	T5-05040003	24-4
T5-03000202	11-25	T5-05000502	22-16	T5-05040004	24-5
T5-03000300	11-12	T5-05000503	22-18	T5-05040005	24-6
T5-03000400	12-45	T5-05000504	22-19	T5-05040006	24-9
T5-03000401	12-49	T5-05000505-1	22-21	T5-05040007	24-12
T5-03000402	12-48	T5-05000505-2	22-20	T5-05040008	24-15
T5-03000403	12-47	T5-05000506	22-22	T5-05040009	24-18
T5-03000404	12-44	T5-05000507	22-23	T5-05040010	24-10
T5-03000500	12-52	T5-05000508	22-24	T5-05040100	24-23
T5-03000501	12-56	T5-05000509	22-25	T5-06000000	26-1
T5-03000600	12-51	T5-05000510	22-26	T5-06000001	26-7
T5-03000700	11-29	T5-05000511	22-28	T5-06000002	26-4
T5-03000800	12-58	T5-05000512	22-29	T5-06000003	26-2
T5-03010000	12-43	T5-05000513	22-32	T8-05000012	22-49
T5-03020000L	11-2	T5-05000514	22-33	T8-05000015	14-4
T5-03020000S		T5-05000515	22-34	T8-05000018	14-14
T5-03030000	12-59	T5-05000516	22-36	T8-05000822	22-15
T5-04000001	7-21	T5-05000517	22-37	T8-05000824	22-12
T5-04000002	20-18	T5-05000518	22-38	T8-05000825	22-13
T5-04000003	20-23	T5-05000519	22-39	T8-05000826	22-9
T5-04000007	20-16	T5-05000520	22-40	T8-05000829	22-10
T5-04000008	7-17	T5-05000521	22-41	T8-05000833	21-4
T5-04000009	20-14	T5-05000522	22-42	T8-05000834	21-3
T5-04000010	7-11	T5-05000523	22-43	T8-05020002	16-4
T5-04000011	7-18	T5-05000524	22-44	T8-05020106	16-2
T5-04000012	7-16	T5-05010000	18-1	TLAI412Z	11-28
T5-04000013	7-15	T5-05010002	16-1		
T5-04000014	7-14	T5-05010003	18-2		
T5-04000015	20-2	T5-05010004	18-4		
T5-04000100	7-6	T5-05010202	18-6		
T5-04000102	7-22	T5-05010203	18-7		
T5-04000200	20-22	T5-05020001	16-13		
T5-04000300	7-13	T5-05020002	16-14		
T5-04000400	14-20	T5-05020003	16-15		
T5-04000401	14-19	T5-05020004	16-12		